

CABLE 258 RF: HIROSE U.FL + FRONT MOUNT RP TNC BULKHEAD WITH O-RING RATED TO IP67/68 + MULTIPLE CABLE SIZES

SPECIFICATIONS :

- HIROSE U.FL PLUG, P/N FOR  $\phi 1.37$ MM CABLE: U.FL-LP-088, FOR  $\phi 1.32$ DS CBALE: U.FL-LP-066
- COAXIAL CABLE, SEE P/N OPTIONS FOR DETAIL.
- FRONT MOUNT RP TNC BULKHEAD JACK WITH O-RING RATED TO IP67/68, P/N: FOR  $\phi 1.37$ MM,  $\phi 1.32$ MM DS CABLE: RFCT-TNC003-F78.

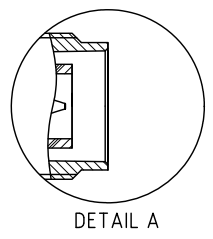
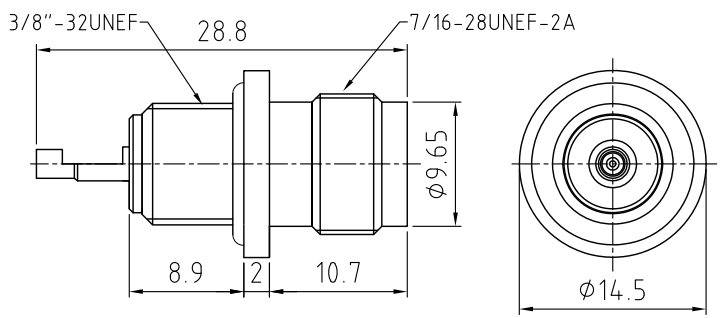
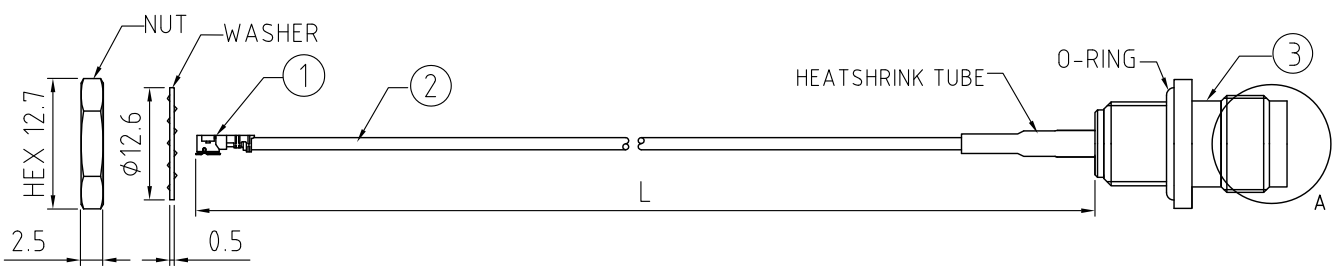
**USAGE PRECAUTIONS: CABLES USING 'MICRO' COAX ARE DELICATE:**  
 (i) HANDLE WITH CARE.  
 (ii) DO NOT TWIST; APPLY EXCESSIVE FORCES OR SHARP BENDS TO THE CABLE. DO NOT FORCEFULLY DEFORM WIRES.  
 (iii) CONSULT CONNECTOR MANUFACTURER'S DATASHEETS FOR DETAILED NOTES ON HANDLING INSTRUCTIONS.

ENVIRONMENTAL:

- A. BULKHEAD MOUNTED CONNECTOR (RFCT-TNC003-F78) RATED TO THE FOLLOWING SPECIFICATION:
- IP6X - DUST TIGHT - NO PARTICLE INGRESS.
  - IPX7 WATERPROOF FOR 30 MINUTES UP TO 1 METER UNDERWATER.
  - IPX8 WATERPROOF FOR 48 HOURS AT 1 METER UNDERWATER.

NOTES:

- WORKING FREQUENCY RANGE: DC-3GHz
- IT IS INTENDED THAT MOUNTING OF THIS CONNECTOR IS ACHIEVED USING THE NUT AND WASHER PROVIDED. PLEASE CONTACT GRADCONN FOR ADVISE IF PLANNING TO USE A DIFFERENT METHOD OF MOUNTING.
- OPERATING TEMPERATURE: -40°C TO +85°C
- IMPEDANCE: 50 OHM.



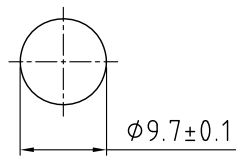
HOW TO ORDER  
 CABLE 258 RF - X X X - X - 1

"L" LENGTH IN MM:  
 eg: 100MM = 100  
 (MIN. 025-MAX.400)  
 STANDARD = 100, 150, 200  
 Tolerance: <math>\pm 5\text{mm}</math>  
 51-200mm:  $\pm 5\text{mm}</math>  
 201-400mm:  $\pm 7\text{mm}</math>$$

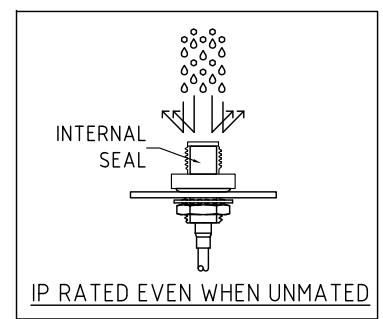
CABLE SIZE OPTIONS:  
 1 =  $\phi 1.37$ MM CABLE, COLOR: BLACK  
 2 =  $\phi 1.32$  DUAL SHIELD CABLE, COLOR: GRAY

WASHER AND NUT OPTIONS:  
 BLANK = SEPARATELY PACKED (STANDARD)  
 A = ASSEMBLED WITH CONNECTOR

RP TNC DETAIL DRAWING



RECOMMENDED TNC MOUNTING HOLE



REV. DATE & DRN	10 10/02/17 - NYW RELEASE
11 20/08/20 - NYW	
12 20/04/21 - NYW	
13 03/03/24 - CC	
14 12/03/24 - CC	
ADD IP RATING VIEW	
ADD 132DS CABLE OPTION	

Scale: NTS	THIRD ANGLE	Unstated Tolerances:
Drawn: CC		.X N/A
App'd: XXX	Title CABLE ASSEMBLY	.XX N/A
Date: 12 MAR. '24	Revision: 1.4	.XXX N/A
	Unit: mm	ANGLES N/A



IP Rated RF Products



www.gradconn.com

Type: Cable 258 RF
CABLE 258 RF
Drawing Number:
Sheet 1 of 1
Drawing © E and O E